



# SV500 GEN 2

Manual Stop Valve for  
High-Pressure Gases  
(DN15)



**YOUR CREATIVE ENGINEERING PARTNER**

# SV500 GEN 2

## Manual Stop Valve for High-Pressure Gases

Series SV500 GEN 2 is a Manual Stop Valve, developed for use in high-pressure gas applications where reliability, long service life and leak integrity are critical. The Gen 2 features a newly designed ergonomic handle, offering reduced operating torque for smoother and easier operation.

Connection is via flanged adaptors which either have industry standard threaded ports or weld stub connections suitable for brazing or welding to pipework. Hale Hamilton can provide connection adaptors to meet individual requirements on request.



### HIGHLIGHTS

- > New ergonomic handle with decreased operating torque
- > Conforms to Pressure Equipment Directive 2014/68/EU (PED)
- > TPED (EN ISO 10297:2014 +A1,2017) approved
- > Exceptional leak integrity
- > Available with a range of port connections via addition of zero clearance flanges
- > PFAS free

### IDEAL USES

- > Primary Isolation of Mobile or Static Storage
- > Vessels (Hydrogen, CNG & Biomethane)
- > Gas Control Panels
- > High Pressure Test Rigs



## FEATURES AND SPECIFICATIONS

### Handwheel

- > Low operating torque at all pressures

### Bi-Directional Valves

- > Bi-directional valve ensures flow in both directions

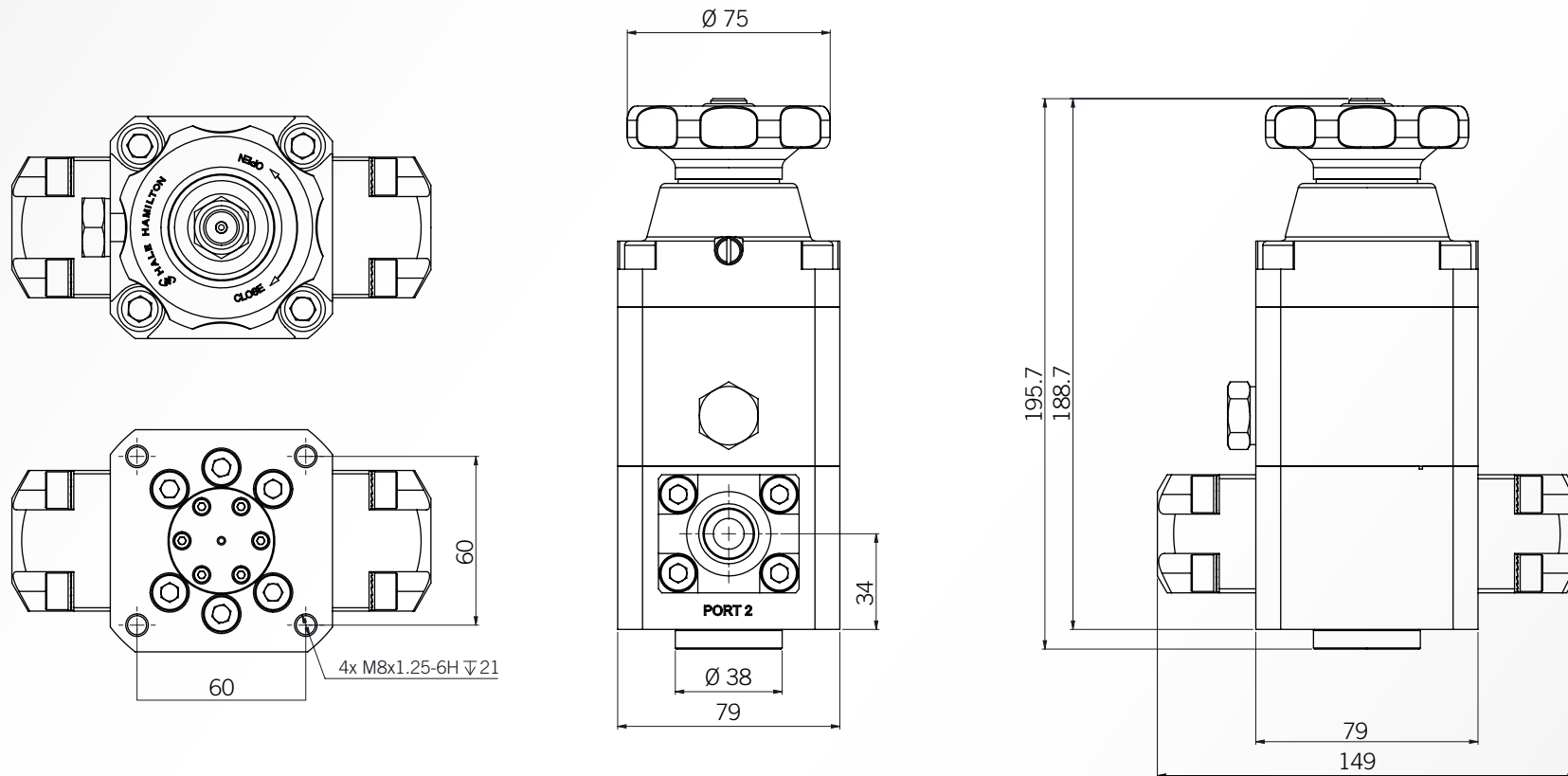
### Flanges/Adaptors

- > Different Flange adaptors/ threaded ports/weld stubs available



PRODUCT SPECIFICATION DATA	SV500 GEN 2
DN Size	DN15
Orifice Size	11mm
Inlet Pressure Rating (TPED)	500 barg (7250 psig)
Inlet Pressure Rating (PED)	600 barg (8,700psig)
Medium	Industrial Gases Including Hydrogen
Temperature Range	-40°C – +65°C
Weight	Without flanges 6.8kg With flanges 7.7kg
Leakage	Bubble Tight
Cv	4.5
Valve Body Material	Stainless Steel 316L
Handwheel Material	Anodised Aluminium
Seals Material	PEEK, HNBR, PE, EPDM

# SV500 GEN 2 DIMENSIONS (IN MM)



## OPERATING CODES & ORDERING INFORMATION

Valve Type	Series	INLET FLANGE		OUTLET FLANGE*		CLEANING	SPECIAL FEATURE
SV	500 GEN 2	A	1/2" NPT - Female Stainless Steel	A	1/2" NPT - Female Stainless Steel	C2 Commercial Clean	Omit if none
		B	G 1/2" Female Stainless Steel	B	G 1/2" Female Stainless Steel	C49 High purity Clean	001 - PED Only (600 Bar Rated)
		C	G 3/4" Female Stainless Steel	C	G 3/4" Female Stainless Steel		
		D	3/4" Medium Pressure Female Stainless Steel	D	3/4" Medium Pressure Female Stainless Steel		
		E	1/4" High Pressure Female Stainless Steel	E	1/4" High Pressure Female Stainless Steel		
		F	1" XXS BUTT WELD, Stainless Steel	F	1" XXS BUTT WELD, Stainless Steel		
		G	3/4" XXS BUTT WELD, Stainless Steel	G	3/4" XXS BUTT WELD, Stainless Steel		
		H	9/16" MP (13/16UN) Female Stainless Steel	H	9/16" MP (13/16UN) Female Stainless Steel		

\*Only used if outlet flange different to inlet.

### PRODUCT ENQUIRY INFORMATION

**While placing the enquiry please advise the following**

- > Ordering Code
- > Gas Type