



N6 MK165 SERIES

Balanced Manual Stop Valve
(DN11)



YOUR CREATIVE ENGINEERING PARTNER

N6 MK165 SERIES

Balanced Manual Stop Valve

The N6 MK165 is a non rising stem, pressure balanced stop valve. They are suitable for use with gases where tight shut-off is required in high pressure lines. N6 MK165 is designed for use with hydrogen and other non-corrosive and non-oxidising gases. The N6 MK165 is pending TPED approval and may be used as a primary closure device for transportable vessels (e.g. Cylinder Banks on Trailers).

HIGHLIGHTS

- > TPED (EN ISO 10297:2014 +A1, 2017) approval pending
- > Pressure balanced spindle for low operating torque
- > PFAS free

IDEAL USES

- > Hydrogen high pressure gas trailers
- > Hydrogen filling stations
- > Biogas filling stations
- > Hydrogen and biogas trailer decant panels
- > High pressure test rigs



Maximum Rating

380

barg
(5,510 psig)

Cv
4.5

TPED
Approval Pending

FEATURES AND SPECIFICATIONS

Backward compatible with N6 MK154

Non-Rising Stem

- > Non-Rising Stem and non-rotating valve stem ensure linear operating motion for a high cycle life

Polymer Seat Construction

- > Allows a tight shut-off with a bubble tight leakage

Pressure Balanced Design

- > The balanced design ensures low operating torque even at high pressure

Panel Mount Option



PRODUCT SPECIFICATION DATA

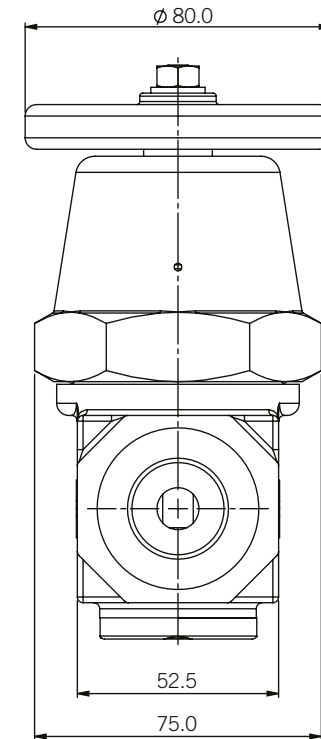
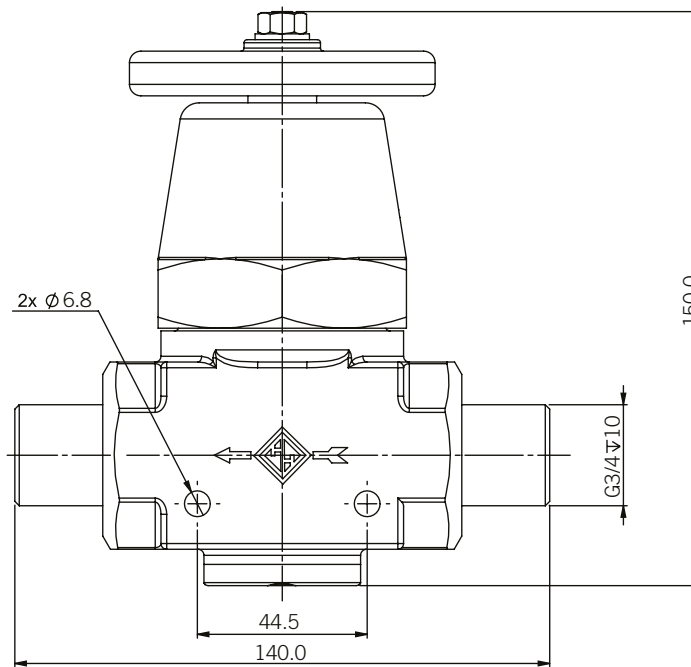
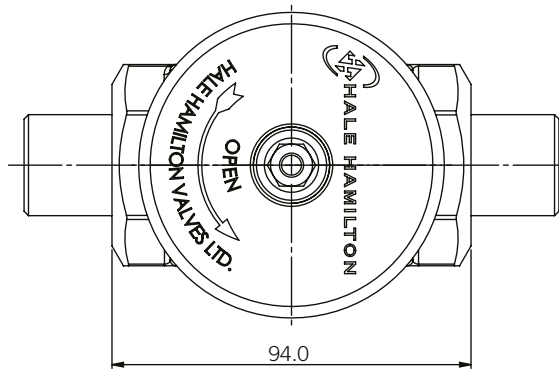
	N6 MK165
Function	Manual Stop Valve
Media	"Non-corrosive Industrial Gases H2, CH4, N2, Ar, CO2, CO & He
Maximum Rating	TPED Approval pending for 380barg (5510psi)
Nominal Bore (mm)	DN11
Orifice Size	11mm
Flow Factor (Cv)	4.5
Sealing Materials	PE, PEEK
Leakage	Bubble Tight
Temperature Range	-40C TO +65C
Ports	G3/4 Male (seal on end face of port)
Materials of Construction	Stainless Steel

ORDERING INFORMATION & INSTALLATION DIMENSIONS (IN MM)

PRODUCT ENQUIRY INFORMATION

When placing an enquiry please advise the following:

- > Gas Type
- > Maximum Working Pressure



OPTION	ORDERING CODE
N6 MK165	N130079