



SERIES N62

Balanced Manual Stop Valve
(DN15)



YOUR CREATIVE ENGINEERING PARTNER

SERIES N62

Balanced Manual Stop Valve (DN15)

Series N62 is a high-integrity stop valve used with inert, flammable and non-oxidising gases in high-pressure applications where tight shut off is required.

Threaded, welded or brazed, bolted flange adaptors provide connection to the pipe or manifold system.



N62 – Balanced Manual Stop Valve

HIGHLIGHTS

- > TPED (EN ISO 10297:2014 +A1,2017) approved
- > Connection to pipe via threaded ports or weld adaptors (via bolted flange, see installation information)
- > PFAS Free

IDEAL USES

- > Gas Trailers and Storage Modules (H2, CNG, CH4, etc.)
- > Filling Stations
- > H2 Gas Control Panels
- > High Pressure Test Rigs
- > Pressure Reduction Skids

Cv
6

500
barg
(7250 psig)

TPED
Approved

FEATURES AND SPECIFICATIONS

Backward compatible with Legacy N62

Low Operating Torque

- > Ensures smooth operation even at higher pressure.

Serviceability

- > All key elements of the N62 are fully replaceable, allowing for easy in-field servicing.

Visual Indicator

- > Provides a visual indication of the valves position.

Balanced Design

- > Series N62's balanced design ensures low operating torque and a longer service life, proven in use.

Flange Interface

- > The flanged interface can be configured with either industry standard threaded ports or can be welded or brazed to the pipe.



PRODUCT SPECIFICATION DATA	N62
DN Size	DN15
Orifice Size	15mm
Inlet Rating Pressure (TPED)	500 barg (7250 psig)
Inlet Rating Pressure (PED)	600 barg (8,700psig)
Medium	Industrial Gases Including Hydrogen
Temperature Range	-40°C – +65°C
Weight	Without flanges 6.1kg With flanges 7kg
Leakage	Bubble Tight
Cv	6
Valve Body Material	Stainless Steel 316L
Handwheel Material	Anodised Aluminium
Seals Material	PEEK, HNBR, PE, EPDM

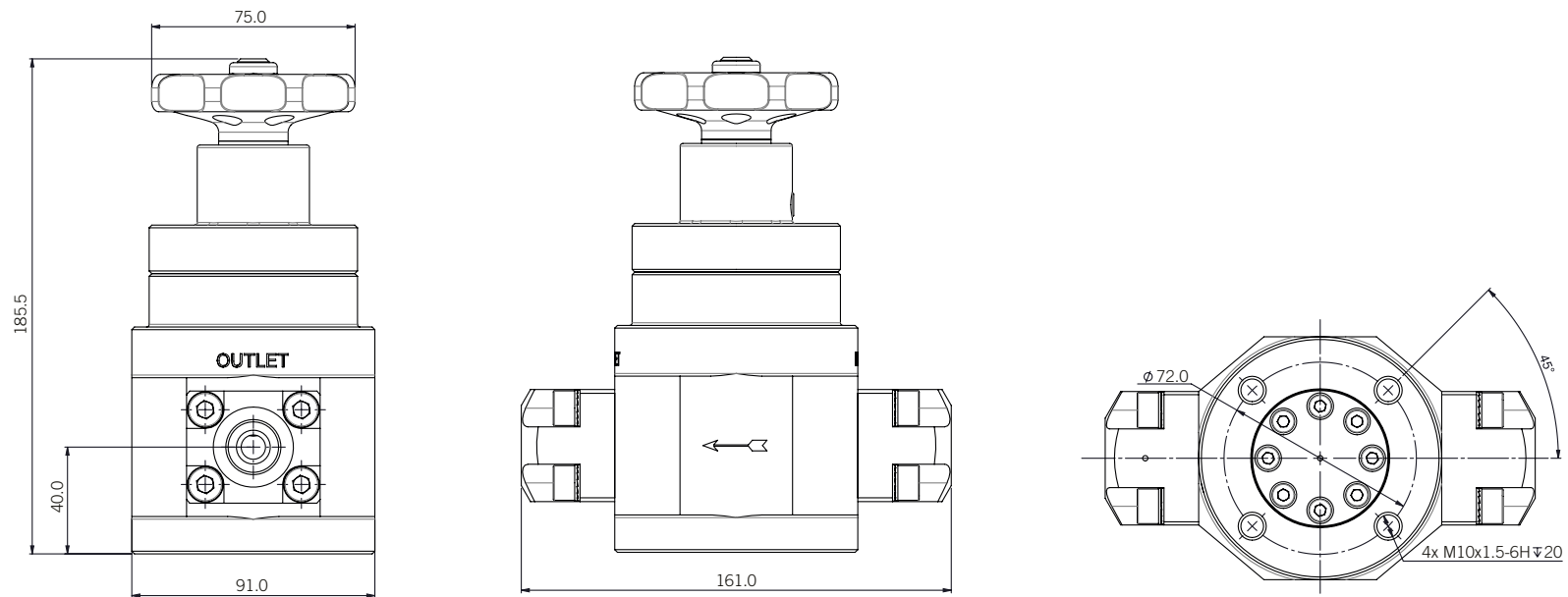
ADAPTOR OPTIONS

Series N62

- > The process ports use proprietary flanged adaptors which can be supplied with suitable detailing for welding or brazing to suitable pipe connections.

For additional connection options, please contact sales@halehamilton.com

N62 DIMENSIONS (IN MM)



*The above drawing is for flanges upto 1/2" NPT

OPERATING CODES & ORDERING INFORMATION

Valve Type	Series	INLET FLANGE		OUTLET FLANGE*		CLEANING	SPECIAL FEATURE
N	62	A	1/2" NPT - Female Stainless Steel	A	1/2" NPT - Female Stainless Steel	C2 Commercial Clean	Omit if none
		B	G 1/2" Female Stainless Steel	B	G 1/2" Female Stainless Steel	C49 High Purity Clean	001- PED Only (600 Bar Rated)
		C	G 3/4" Female Stainless Steel	C	G 3/4" Female Stainless Steel		
		D	3/4" Medium Pressure Female Stainless Steel	D	3/4" Medium Pressure Female Stainless Steel		
		E	1/4" High Pressure Female Stainless Steel	E	1/4" High Pressure Female Stainless Steel		
		F	1" XXS BUTT WELD, Stainless Steel	F	1" XXS BUTT WELD, Stainless Steel		
		G	3/4" XXS BUTT WELD, Stainless Steel	G	3/4" XXS BUTT WELD, Stainless Steel		
		H	9/16" MP (13/16UN) Female Stainless Steel	H	9/16" MP (13/16UN) Female Stainless Steel		

PRODUCT ENQUIRY INFORMATION

When placing an enquiry, please advise the following:

- > Max Working Pressure
- > Fluid Temperature Range
- > Ambient Temperature Range
- > Fluid Type
- > Connections Required (if threaded or flanges) or Pipes Sizes and Material (if welded connections required)
- > Application Details
- > Any Special Requirements (Materials, etc.)