

## Excellence in Hydraulic Pressure Control

Our Latest Generation of Hydraulic Pressure Regulator

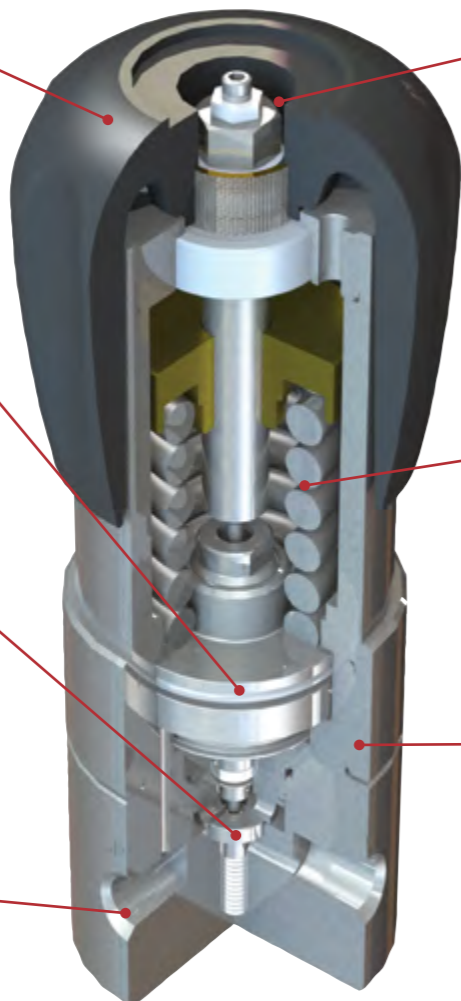


- Wellhead Control ■ ■ Subsea Actuator Supply
- Blow Out Preventer ■ ■ Testing Applications
- Hydraulic Power Units ■ ■ Ballast Control

# Series 2835 Our Latest Generation of Hydraulic Pressure Regulator

## Excellent Pressure Control ■ Ergonomic / Compact Design ■ Highly Reliable

The Series 2835 Hydraulic Pressure Regulator is a compact, durable, highly accurate and stable regulator for application in hydraulic systems and offers a number of useful features that make it the right choice for use in systems requiring accurate pressure control, integrated and accurate spill control, low operating torques and reliable functioning / sealing over an extended service period in applications involving pressures up to 690 barg / 10,000psig.



**Control Knob**  
Easy Grip Control Knob combined with a thrust bearing (sealed for life) provides low operating torques. Options for locked outlet and limited outlet pressures are available as options.

**Adjustable Spill Valve**  
Adjustable, integrated lock relief / liquid spill valve allows excess control pressure to be spilled back to tank at pre-determined set pressure. Advantages include not having to rely on a safety relief valve for non critical applications. As an option, the regulator can be ordered without the spill feature.

**Control at Low Outlet Pressures**  
A large sensing piston provides highly accurate pressure control for applications below 10 barg.

**Proven Sealing technology**  
Hard metallic seating components produced to a high standard of accuracy and finish ensure long life & leak tight performance on a range of hydraulic fluids.

**Captured Vent**  
Fluid is spilled back to tank from outlet side of the regulator. The spilled fluid is directed through a captured vent which prevents it from coming into contact with the loading mechanism.

**Ports**  
Available in NPT, BSPP, SAE in 2, 3 or 4 port variants.

**Outlet Pressure Ranges**  
A range of outlet pressure ranges are available with stainless steel springs optimised for each. With 8 ranges across the 690 barg range, highly accurate pressure control is assured.

**Materials**  
The body material is 316 as standard.

**Multiple Mounting Options**  
Panel Mounting and Base Mounting Options available as standard.

### Optional Features

- Alternative body and sealing materials available upon request to meet the requirements of NACE or low temperature applications.
- Alternative port configurations available.
- Manifolded solutions for integrating system components together available – see HH website for examples of manifolded product.

## Ordering Information

### Basic Series

- Outlet Pressure Range**
- 1 - 1 to 150 psi (0.07 to 10 bar)
  - 2 - 2 to 500 psi (0.2 to 35 bar)
  - 3 - 5 to 1000 psi (0.4 to 69 bar)
  - 4 - 10 to 1500 psi (0.7 to 104 bar)
  - 5 - 15 to 2500 psi (1.1 to 173 bar)
  - 6 - 25 to 4000 psi (1.8 to 276 bar)
  - 7 - 50 to 6000 psi (3.5 to 414 bar)
  - 8 - 200 to 10000 psi (14 to 690 bar)

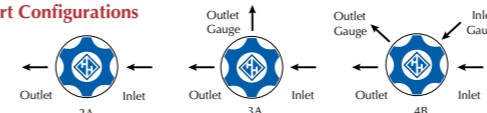
**Spill Valve**  
X – Not Required  
S – Spill Valve Required

**Seat Material**  
H – Hard (Hydraulic Applications only)

**O rings**  
V – Viton\*  
N – Nitrile (Buna N)  
E – EPDM

**Port Code**  
See configuration diagram

### Port Configurations



**Port Type**  
A - 1/4" NPT\*  
B - G1/4  
C - 1/4" SAE  
D - 3/8" NPT\*  
E - G3/8  
F - 3/8" SAE

**Inlet Gauge**  
X - No Gauge Port  
A - Gauge Port

**Outlet Gauge**  
X - No Gauge Port  
A - Gauge Port

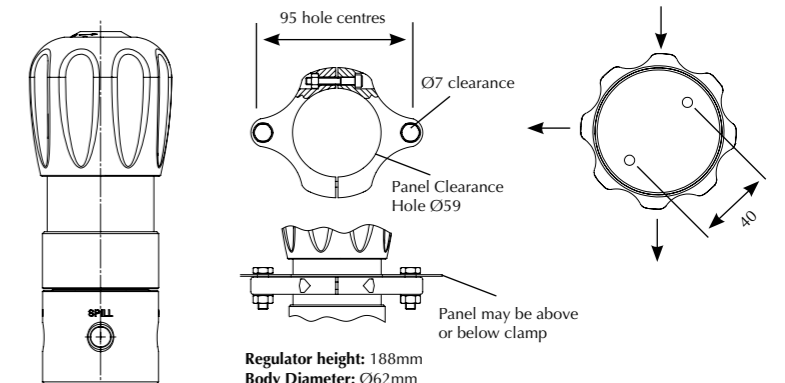
**Adjustment**  
0 - Handwheel  
1 - Locked  
2 - Limit Stop

**Panel Mounting Kit**  
X - Not required  
P - Panel Mounting Kit

## Specification

- Maximum Inlet Pressure: 690 barg (10,000 psig).
- Outlet Pressure Ranges: see ordering sheet above.
- Temperature range: -20 to +70°C
- Cv: 0.08 (main / spill valve)
- Body Material: 316 Stainless Steel
- Seating Materials: 17/4 PH & ANSI 440C
- Outboard seals: Viton, EPDM, Nitrile
- Mounting Options: Base Mounting or Panel Mounting Kit

95 hole centres



**Regulator height:** 188mm  
**Body Diameter:** Ø62mm  
**Panel Mounting:** Panel cut-out Ø59mm + 2xØ7mm holes (95mm PCD).  
**Base Mounting Threads:** M6 x 12mm deep (40mm PCD).

## Sales and After Market Support Network



**REPRESENTATIVES**

■ INDUSTRIAL ■ DEFENCE

**Africa**

**South Africa**

**Rand Air & Gas (PTY) Ltd ■**  
Post Box 5430  
Kempton Park 1620  
Gauteng,  
South Africa  
C: Alan Sparrow  
T: + 27 11 975 9630  
F: + 27 11 975 4315  
E: [info@ragi.co.za](mailto:info@ragi.co.za)

**Asia**

**China**

**Silpac International Co Ltd ■**  
Room 2408 Shartex Plaza,  
No 88 Zunyi Road  
Shanghai 200336,  
China  
C: Mr Fenji  
T: + 86 21 6270 2545  
E: [fengshab@online.sh.cn](mailto:fengshab@online.sh.cn)

**Korea**

**Kyunghee Trading Co Ltd ■ ■**  
Room 808-B, Hongwoo Building,  
43-3 Yoido Dong,  
Youngdeungpo-ku,  
Seoul, Korea  
C: C Y Park  
T: +82 2 785 2262-4  
F: +82 2 784 2896  
M: +82 11 784 4262  
E: [Kyunghee2@dreamwiz.com](mailto:Kyunghee2@dreamwiz.com)  
[cypark39@kornet.net](mailto:cypark39@kornet.net)

**India**

**Arcum Engineering (P) Limited ■**  
Premlata # 602  
39, Shakespeare Sarani  
Calcutta - 700 017  
India  
T: +91 33 2283 4382/83/84  
F: +91 33 2283 4385/86  
E: [calcutta@arcumonline.com](mailto:calcutta@arcumonline.com)  
[www.arcumonline.com](http://www.arcumonline.com)

**Arcum Engineering (P) Limited ■**  
Udyog Bhavan  
Unit - 76, Sonawala Road  
Goregaon - E  
Mumbai - 400 063  
India  
T: +91 22 2686 4427/28  
F: +91 22 2686 4229  
E: [mumbai@arcumonline.com](mailto:mumbai@arcumonline.com)  
[www.arcumonline.com](http://www.arcumonline.com)

**Sun Tekserve ■**

A33n Madhugiri CHS,  
Plot 408,  
Sion Trombay Road Chenbur,  
Mumbai 400071,  
India  
C: Mr Sunder Sandeep  
T: + 91 22 2520 6699  
E: [sandeep@suntekservice.com](mailto:sandeep@suntekservice.com)

**Asia (contd)**

**Indonesia, Malaysia and Singapore**

**Flow-Gas PTE Ltd ■**  
61, Kaki Bukit Avenue 1,  
#05-40,  
Singapore 417943  
C: Tay Yong Ling  
T: +65 63 46 66 89  
F: +65 62 34 01 59  
M: +65 83 22 39 22  
E: [flow\\_gas@singnet.com.sg](mailto:flow_gas@singnet.com.sg)

**Turkey**

**Dormak ■**  
Kiz Kulesi Sokak No:10  
No: 10 G.O.P. 06700,  
Ankara,  
Turkey  
C: Ramazan Kara  
T: + 90 312 446 9580  
F: + 90 312 446 9551  
E: [rkara@dormak.com.tr](mailto:rkara@dormak.com.tr)  
W: [www.dormak.com.tr](http://www.dormak.com.tr)

**Europe**

**Belgium**

**Transmark N.V ■**  
Boomgaardreef 9  
B-2900 Schoten  
Antwerp  
Belgium  
T: +32 3 633 01 01  
F: +32 3 633 06 56  
[www.transmark-group.com](http://www.transmark-group.com)

**France**

**ALCRYS Fluid-Control & Services ■**  
Chemin des Bastidons  
13590 Meyreuil  
France  
C: Olivier HEYRAL  
T: +33.442.210.554  
M: +33.635.576.343  
E: [olivier.heyral@alcrys.net](mailto:olivier.heyral@alcrys.net)

**Italy**

**Argo International ■**  
Via degli Olmi, 65/7  
50019 Sesto Fiorentino  
Firenze,  
Italy  
C: Emiliano Era  
T: +390554206047  
F: +390554252090  
E: [eera@argointl.com](mailto:eera@argointl.com)

**Teknomec SRL ■**

35 Via Terenzio  
00193 Roma  
ITALY  
T: +39 6 6889991  
F: +39 6 8899923  
[abuccianti@rig.it](mailto:abuccianti@rig.it)

**Europe (contd)**

**Netherlands**

**Astro Controls Bv ■**  
Eikenlaan 235, 2404 BP  
Alphen aan den Rijn  
Postbus 399,  
2400 AJ Alphen aan der Rijn  
Netherlands  
C: Onno Vrijburg  
T: + 31 172-424247  
F: + 31 172-477500  
E: [Ovrijburg@astro.nl](mailto:Ovrijburg@astro.nl)

**Spain**

**Ultraline SL ■**  
Puerto de Navacerrada 1,  
Bloque A, 1º 7  
28729 Venturada,  
Madrid,  
Spain  
C: Ricardo Mozas  
T: +34 91 844 85 96  
F: +34 91 844 85 97  
M: +34 467 7547 301  
E: [Ultraline@ultraline.es](mailto:Ultraline@ultraline.es)

**Middle East**

**Kuwait**

**Petrotech Establishment W.L.L. ■**  
East Ahmadi Industrial Area,  
PO Box: 7764, Fahaheel,  
Kuwait - 64008  
T: +965 2398 1234  
F: +965 2398 2398  
E: [sales@petrotech.com.kw](mailto:sales@petrotech.com.kw)

**Sultanate of Oman**

**Pioneer Oilfield Enterprises L.L.C. ■**  
P.O. Box: 998, Wadi Al Kabir,  
Postal Code: 117, Musat,  
Sultanate of Oman.  
T: +968 2481 3562  
F: +968 2481 5868  
E: [sales@pioneeroilfield.com](mailto:sales@pioneeroilfield.com)

**UAE**

**Petrotech Enterprises ■**  
Clock Tower, Deira| P.O. Box 5311,  
Dubai, U.A.E.  
C: Murli Odhrani  
T: +971 (4) 262 2211 / 5272  
F: +971 (4) 2691016  
M: +971 (50) 3053233  
E: [sales@petrotech.ae](mailto:sales@petrotech.ae)

**Pacific Rim**

**New Zealand**

**Delta Controls ■**  
10 Maurice Road, P O Box 12376  
Penrose, Auckland, New Zealand  
C: Jim  
T: + 64 95257537  
F: + 64 95257538